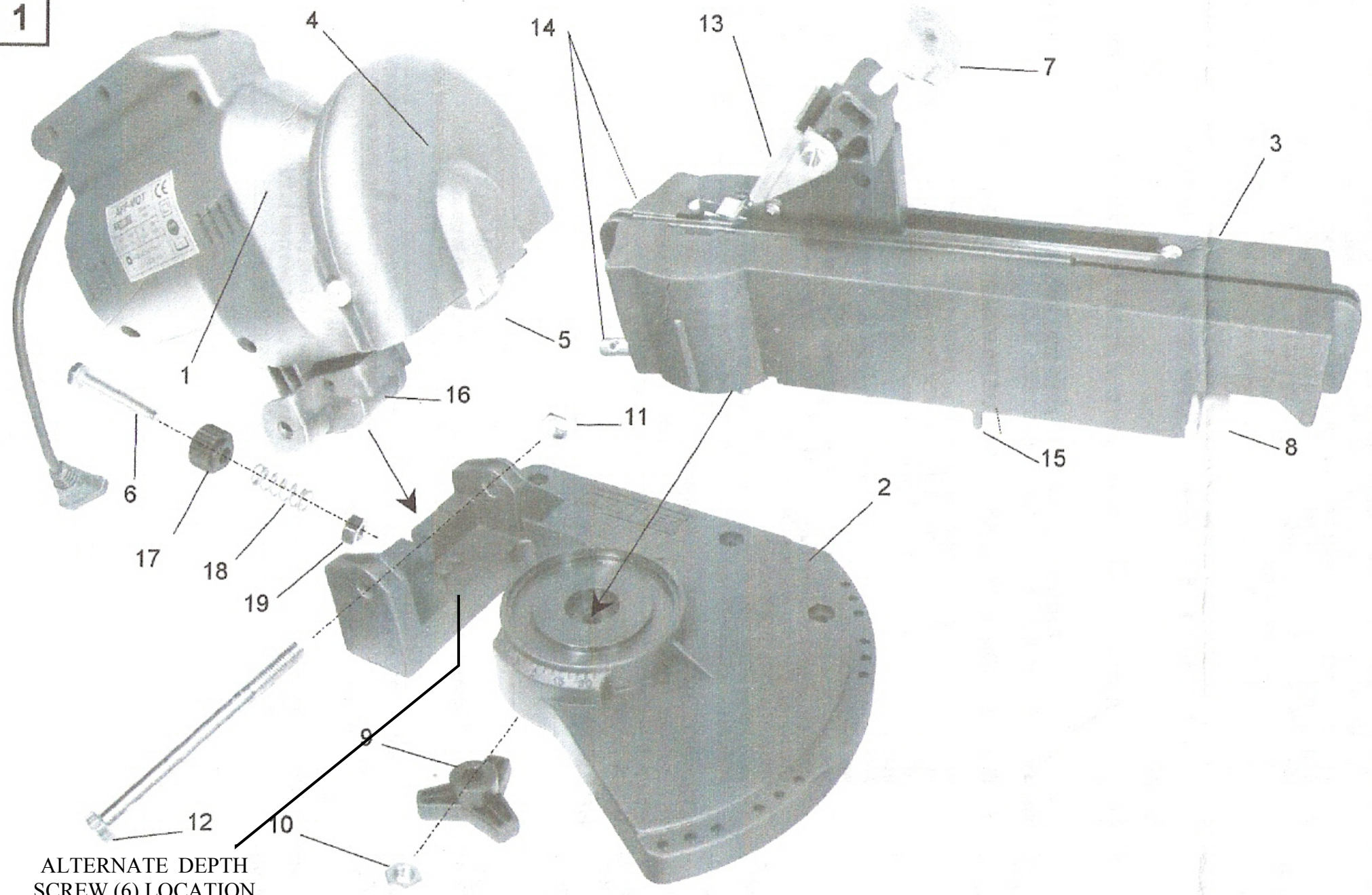


1



ALTERNATE DEPTH
SCREW (6) LOCATION